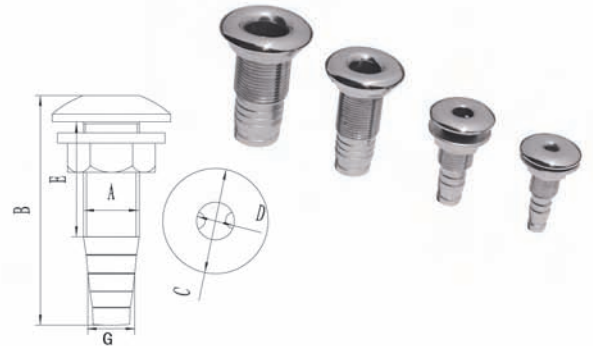


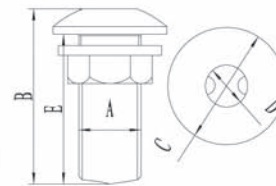
### Through Hull Outlets With Hose Connection

Art. No.	A(inch)	B(mm)	C(mm)	D(mm)	E(mm)	G(mm)
NH0101B	3/8"	57.5	36	7.5	25.5	Φ 12
NH0102B	1/2"	62	38.5	11.5	33	Φ 16
NH0103B	3/4"	73.2	47	17	42	Φ 23.5
NH0104B	1"	78	55.5	23	44	Φ29
NH0105B	1 - 1/4"	83	66	29	45	Φ 36
NH0106B	1 - 1/2"	85	70.5	33	46	Φ 43
NH0107B	2"	99.5	85	47	52	Φ 53.5



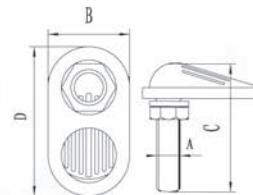
### Through Hull Outlets

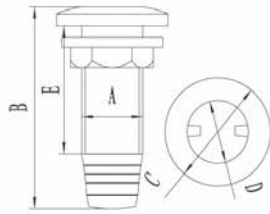
Art. No.	A(inch)	B(mm)	C(mm)	D(mm)	E(mm)
NH0101A	3/8"	58	35.3	11.8	52.5
NH0102A	1/2"	62	39.3	15.3	58
NH0103A	3/4"	73	49	19	62
NH0104A	1"	80	54	25	71
NH0105A	1 - 1/4"	83	63	34	76
NH0106A	1 - 1/2"	85	70	38	79
NH0107A	2"	101	84	50.8	95
NH0108A	2 - 1/2"				
NH0109A	3"	127	117	76	120



### Intatke Strainers

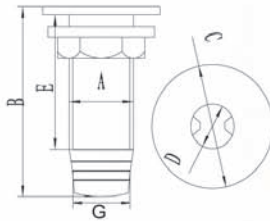
Art. No.	A(mm)	B(mm)	C(mm)	D(mm)
NH0101C	3/8"	46.4	94	79
NH0102C	1/2"	48	99	90.4
NH0103C	3/4 "	57	106	104.5
NH0104C	1"	60	106.5	105
NH0105C	1 - 1/4"	64.4	103	117
NH0106C	1 -1/2"	70.5	113	132.5
NH0107C	2"	86	154	126
NH0108C	2 - 1/2"	112	156	200
NH0109C	3"	135	160	290





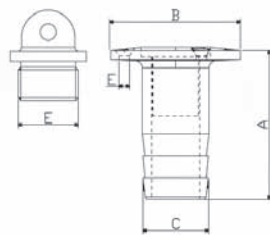
### Through Hull Outlets With Hose Connection

Art. No.	A(mm)	B(mm)	C(mm)	D(mm)	E(mm)
NH72001	1/2"				
NH72002	3/4"	80	46	18	57
NH72003	1"	85.5	56	18	60
NH72004	1 - 1/8"	100.5	59.5	28	62
NH72005	1 - 1/4"				
NH72006	1 - 1/2"				



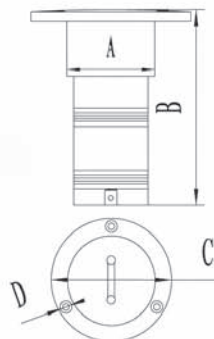
### Through Hull Outlets With Hose Connection

Art. No.	A(inch)	B(mm)	C(mm)	D(mm)	E(mm)	G(mm)
NH4101A	1/2"	62	39	13	41	Φ16
NH4101B	3/4"	70	50	18.7	49	Φ23.5
NH4101C	1"	76	53.5	24.4	53	Φ29
NH4101D	1 - 1/4"	80	63	32.5	54	Φ36
NH4101E	1 - 1/2"	82	71.5	39	61	Φ43



### Through Hull

Art. No.	A(mm)	B(mm)	C(mm)	D(mm)	E(mm)
XH73043	54.3	49	24.6	M20*1.5*14	4

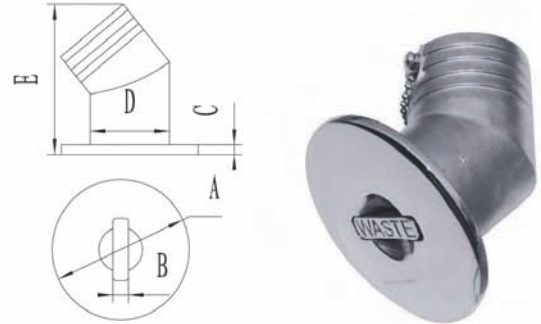


### Deck Filler

Art. No.	A(mm)	B(mm)	C(mm)	D(mm)
NH99501 - PETROL	38.1 (1-1/2")	83	5.7	75
NH99601 - GAS	38.1(1 - 1/2" )	83	5.7	75
NH99701-DIESEL	38.1(1 - 1/2" )	83.5	5.7	75
NH99801-WATER	38.1(1 - 1/2" )	83	5.7	75
NH99901-WASTE	38.1(1 - 1/2" )	83	5.7	75
NH89901-DIESEL	50.8(2" )	88	5.7	82
NH89801-GAS	50.8(2" )	87	5.7	82
NH89601-WATER	50.8(2" )	88	5.7	82
NH89902-DIESEL	63(2.5")	89	6	108

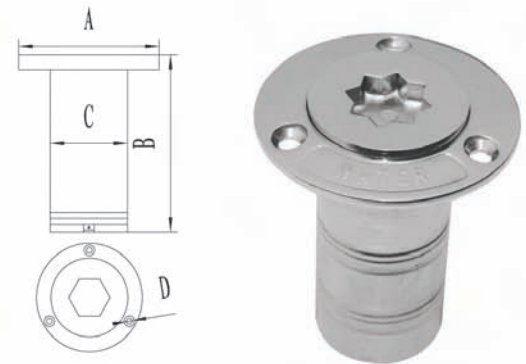
### Deck Filler

Art. No.	A(mm)	B(mm)	C(mm)	D(mm)	E(mm)
NH799901-WASTE 2"	88	10	6	Φ50.8	97
NH799901-WASTE 1.5"	83	7	5	Φ45.5	80



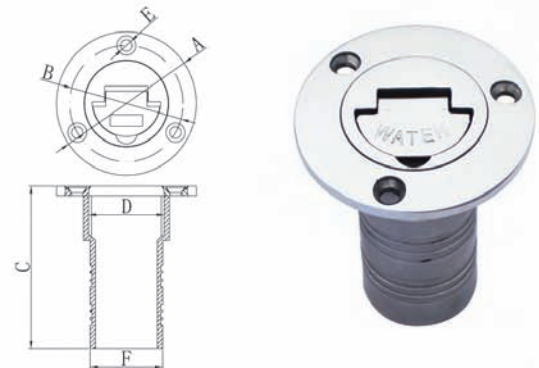
### Deck Filler

Art. No.	A(mm)	B(mm)	C(mm)	D(mm)
NHHSY145-PETROL 1.5"	74	78	38.1	5.8
NHHSY145-GAS 1.5"	74	78	38.1	5.8
NHHSY145-DIESEL 1.5"	74	78	38.1	5.8
NHHSY145-WATER 1.5"	74	78	38.1	5.8
NHHSY146-DIESEL 2"	82	88	50.8	5.7
NHHSY146-GAS 2"	82	88	50.8	5.7
NHHSY146-WATER 2"	82	88	50.8	5.7



### Deck Filler

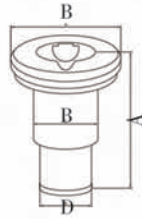
Art. No.	A(mm)	B(mm)	C(mm)	D	E(mm)	F(mm)
NH99602 - GAS	Φ74	Φ60	83.4	G1 1/4" - 11	Φ6	Φ38.1
NH99702 - DIESEL	Φ74	Φ60	83.4	G1 1/4" - 11	Φ6	Φ38.1
NH99802 - WATER	Φ74	Φ60	83.4	G1 1/4" - 11	Φ6	Φ38.1
NH99402 - FUEL	Φ74	Φ60	83.4	G1 1/4" - 11	Φ6	Φ38.1
NH99902 - WASTE	Φ74	Φ60	83.4	G1 1/4" - 11	Φ6	Φ38.1



### Deck Filler

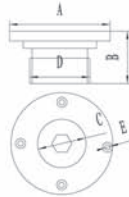
Art. No.	A(mm)	B(mm)	C(mm)	D (mm)	E(mm)
NHUXT - 1"	73	80.5	38	4.5	24.5





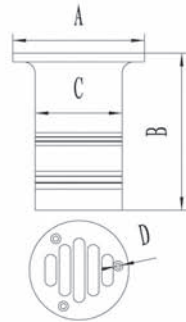
**Deck Filler**

Art. No.	A(mm)	B(mm)	C(mm)	D(mm)
NH99703 1.5"	92	Φ87	Φ51	Φ40
NH99703 2"	92	Φ87	Φ51	Φ50



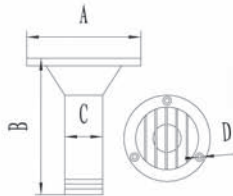
**Deck Filler**

Art. No.	A(mm)	B(mm)	C(mm)	D(mm)	E(mm)
NHUXT - 2" 2"	99	33	53	58	5



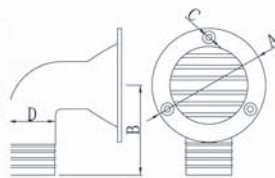
**Tank Vent**

Art. No.	A(mm)	B(mm)	C(mm)	D(mm)
NHHS007 2"	87	87	50.8	5.5



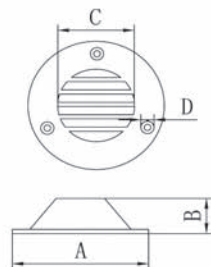
**Tank Vent**

Art. No.	A(mm)	B(mm)	C(mm)	D(mm)
NH0627 1 - 1/4"	76	99	31.8	4



**Tank Vent**

Art. No.	A(mm)	B(mm)	C(mm)	D(mm)
NH0627W	76	60	Φ4	31.8



**Tank Vent**

Art. No.	A (mm)	B(mm)	C(mm)	D(mm)
NHLSK - 1	63	16	35	6.6
NHLSK - 2	45.6	24.6	25.5	6.5

### Tank Vent

Art.No.	A(mm)	B(mm)	C(mm)
NHT-DL	81	60	38



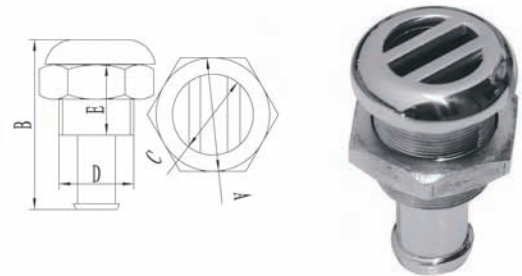
### Tank Vent

Art.No.	A(mm)	B(mm)	C(mm)
NHT-DLW	75	72	32



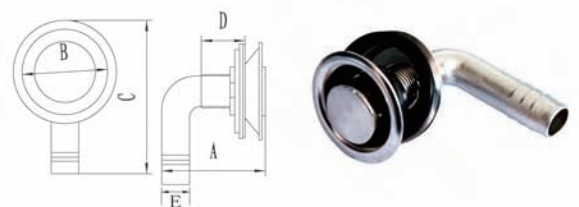
### Tank Vent

Art. No.	A (mm)	B(mm)	C(mm)	D(mm)	E(mm)
NH73103	36	62	21	27	29



### Air Vent

Art. No.	A (mm)	B(mm)	C(mm)	D(mm)	E(mm)
NH73001	67	46	66	28	Φ16



### Air Vent

Art. No.	A (mm)	B(mm)	C(mm)	D(mm)	E(mm)
NH73001A	66	68	M18*1.5	Φ16	Φ9

